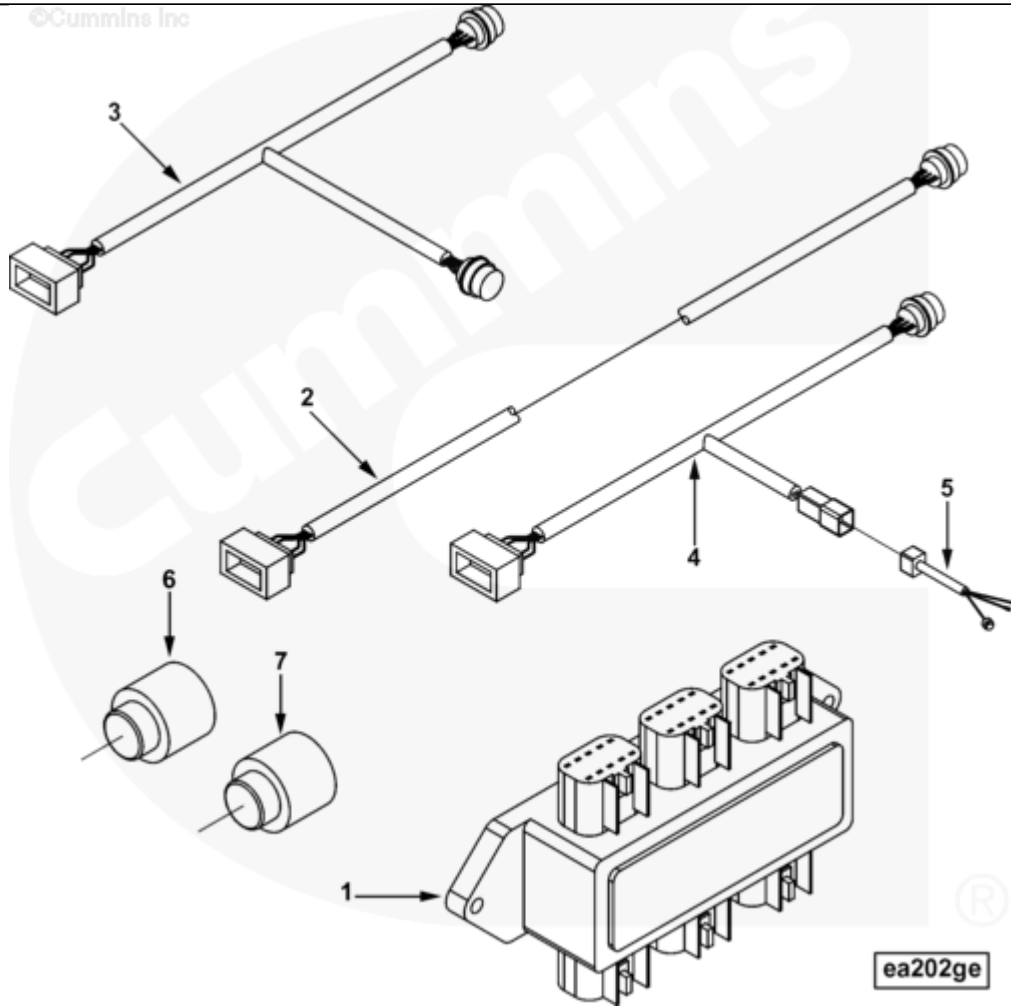




Parts Catalog - Option Detail

Electronic Parts Catalog - Option Detail				
Option	Group	Graphic	Film Card	Date
EA2067	21.01.1	ea202ge	II	03-SEP-04
Engines	ISM CM570, ISM CM570/870, ISM CM875, ISM CM876, ISM CM876 E, ISM11 CM876 M103, ISM11 CM876 SN, M11 CELECT, M11 CELECT PLUS, M11 MECHANICAL, QSM11 CM570, QSM11 CM876			



SMALL | MEDIUM | LARGE

Cart	Ref No	Part Number	Part Description	Required	Remarks
View My Cart					
		EA2067	Secondary Instrument Panel Harness		
					Sec Isr Panel Harness
					Engine Family: M11 Series
					with Smartcraft Operating

					System
					Engine Cylinders: 6
					Harness Length:
					12.2 m (40 FT)
					Harness Description: Second
					Station Extension Harness,
					"Y" Harness with Key Switch
					Break Out Connector Adaptor
					Harness and Junction Box
					Harness Supplied: In Kit
<input type="checkbox"/>	1	3969773	Junction Box	1	
<input type="checkbox"/>	2	3969775	Wiring Harness	1	
<input type="checkbox"/>	3	3969789	Wiring Harness	1	
<input type="checkbox"/>		3976252	Wiring Harness	1	
<input type="checkbox"/>	4	3976253	Wiring Harness	1	
<input type="checkbox"/>	5	3976257	Wiring Harness	1	
<input type="checkbox"/>	6	3978308	Stop Switch	1	
<input type="checkbox"/>	7	3978309	Start Switch	1	